

Models SG6520, SG6521

Pressure Gauges with Reed Switch

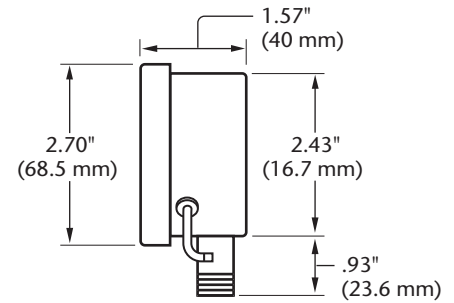
These indicating pressure gauges with reed contact assemblies are designed to provide economical pressure monitoring, set-point indication and fast switching for low power electrical signals. In addition to providing accurate indication of gas pressure, these 2½ inch diameter gauges incorporate a magnetically actuated reed switch capable of operating low voltage annunciators, lights or relays. They are commonly installed on regulators and manifolds to activate an external alarm (such as Models SG6551A, SG6552 Annunciators) when a certain predetermined pressure is reached.

The switch set point can be adjusted to any pressure between 2% and 90% of the full-scale value by moving the index on the front dial to the desired set point. On decreasing pressure only, the magnetic indicating pointer “opens” the switch when contact is made with the index. The gauge is designed to move further on the scale while permitting the switch to remain “open” after contact is made with the index.

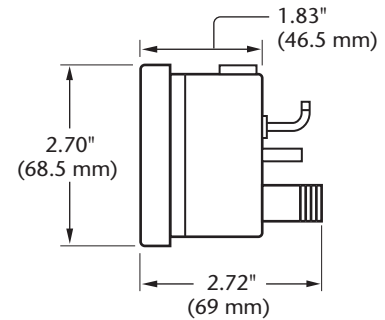
Warning: We strongly recommend the use of our Explosion-Proof Type Pressure Switch Model SG6541 (page 100) for all flammable and oxygen applications.



SG6520-3000 Gauge Switch



Radial Configuration



Panel Mount Configuration

Specifications

Mechanical

- Dial Size: 2½" diameter
- Gauge Pressure Range: See Table I
- Adjustable Set-Point: See Table I
- Indication Accuracy: ± 2% of span
- Operating Temp. Range: -20°F to 165°F
- Case and Bayonet Ring: Type 304 Stn. Stl.
- Window: Laminated safety glass retained in bayonet ring
- Safety Feature: Solid front and full blow-out safety back
- Dial: Aluminum alloy, white background, black markings
- Bourdon Tube:
 - SG6520: Bronze
 - SG6521: Type 316 Stainless Steel
- Socket:
 - SG6520: Brass
 - SG6521: Type 316 Stainless Steel
- Connection Size: ¼" NPT male

Electrical

- Connection: 39" lead connection cable with 2 wires
- Maximum Switching:
 - Capacity: 10 watts (DC), 10 VA (AC)
 - Current: 0.5 amps DC or AC with resistive load
 - Voltage: 75 Volts DC or 50 Volts AC
- Dead Band: 2.5% maximum
- Switch Operation: closes on increasing pressure / opens on decreasing pressure

Table I

Part Number		Pressure Range (psig)	Case Configuration	Connection Location	Adjustable Set-point	
					Min (psig)	Max (psig)
SG6520-200-P	SG6521-200-P	0-200	Panel Mount	Lower Back	4	180
SG6520-600-P	SG6521-600-P	0-600	Panel Mount	Lower Back	12	540
SG6520-3000-P	SG6521-3000-P	0-3000	Panel Mount	Lower Back	60	2700
SG6520-3000	SG6521-3000	0-3000	Radial	Bottom	60	2700